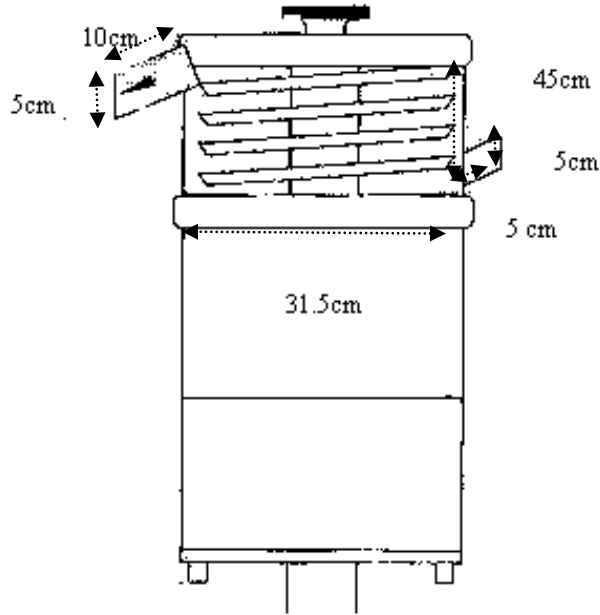
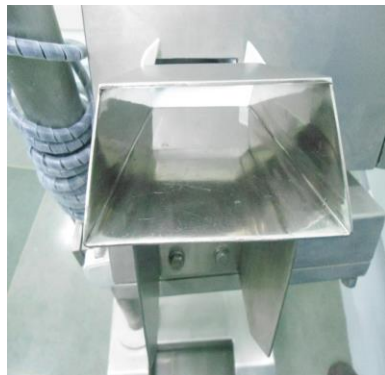




SURFACE AREA CALCULATION SHEET (METAL DETECTION SYSTEM)



Tablet Dedusting Machine





SURFACE AREA CALCULATION SHEET (METAL DETECTION SYSTEM)

SURFACE AREA OF DE DUSTING MACHINE:

Surface Area of Tablet De Dusting Assembly

Length=45 cm Width=31.5 cm

Surface area = L x W = 45 x 31.5

= 1417.5 cm²

= 219.71 inch²

Surface Area of Passing Chute

Length= 5cm Width=5cm

Surface area = LxW = 5x5=25 cm²

=3.875 inch²

Surface Area of Delivery Chute

Length= 10 cm Width=5cm

Surface area

= 10x5=50 cm²

= 7.75 inch²

Hence, **Total Surface Area of Tablet De dusting Machine**

=3.875+7.75+219.71 = = **231.33 inch²**