

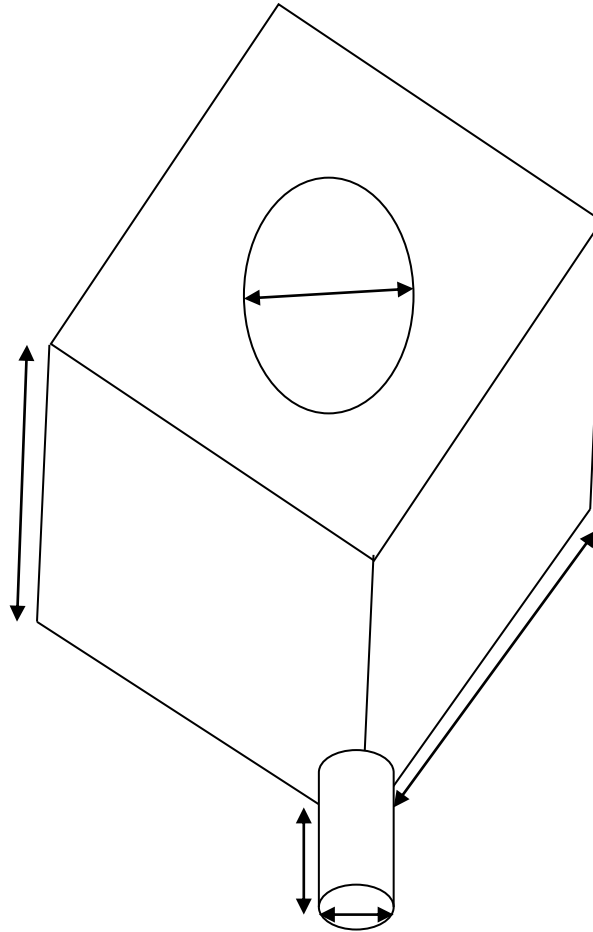


Pharma Devils

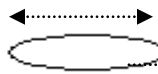
PHARMA DEVILS
QUALITY ASSURANCE DEPARTMENT

DRAWING No.:

SURFACE AREA CALCULATION SHEET (ROTOCUBE BLENDER)



25 cm



Butter fly Valve

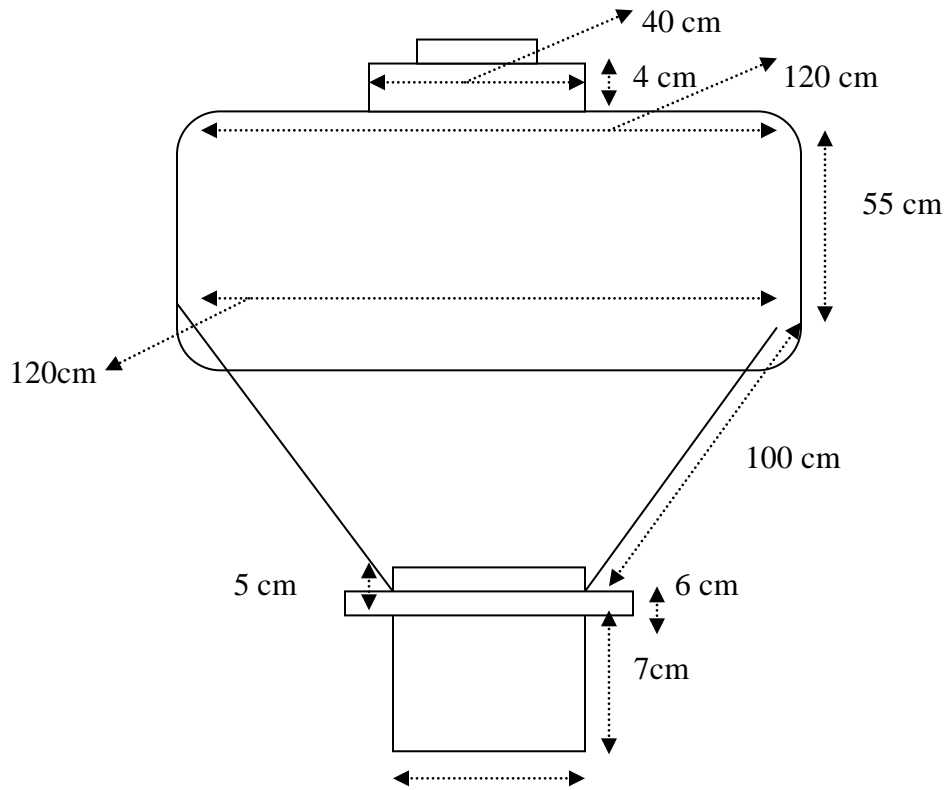


Pharma Devils

PHARMA DEVILS
QUALITY ASSURANCE DEPARTMENT

DRAWING No.:

SURFACE AREA CALCULATION SHEET (ROTOCUBE BLENDER)





SURFACE AREA CALCULATION SHEET (ROTOCUBE BLENDER)

SURFACE AREA OF ROTO CUBE BLENDER:

Length=120 cm

Width=55cm

Area of Rectangle shape= $L \times W = 120 \times 55 = 6600 \text{ cm}^2$

Area of Trapezium Shape

B1=120cm

B2= 25 cm

Height =100cm

Area= $\frac{(B1+B2) h}{2}$

= $120 + 25/2 \times 100 = 7250 \text{ cm}^2$

Area of Rectangular shape

Width =25 cm

Length = 5cm +6cm+7cm=18cm

Area= $L \times W = 25 \times 18 = 450 \text{ cm}^2$

Area of Circular Shape Butter fly Valve

D=25cm

Radius= $25/2 = 12.5 \text{ cm}$

Area= πr^2

= $3.14 \times 12.5 \times 12.5 = 490.63 \text{ cm}^2$

Total Area of Conta Blender = $6600 \text{ cm}^2 + 7250 \text{ cm}^2 + 450 \text{ cm}^2 + 490.63 \text{ cm}^2$

= 14790.63 cm^2

= 2292.54 inch^2